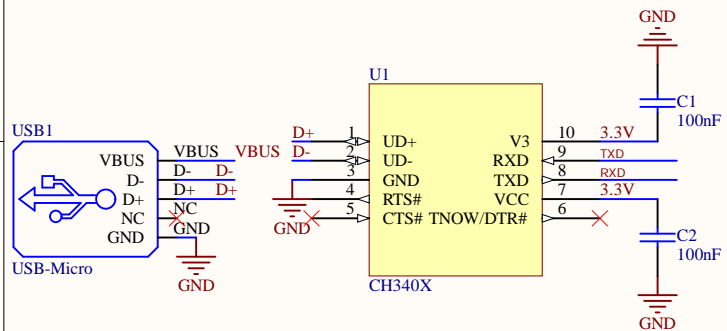
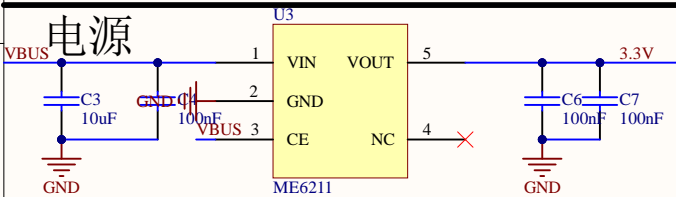


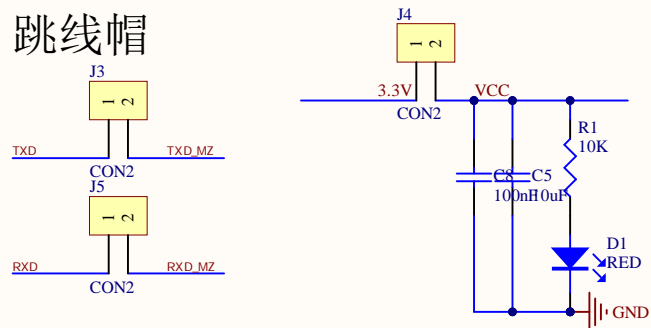
# 串口



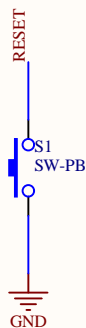
# 电源



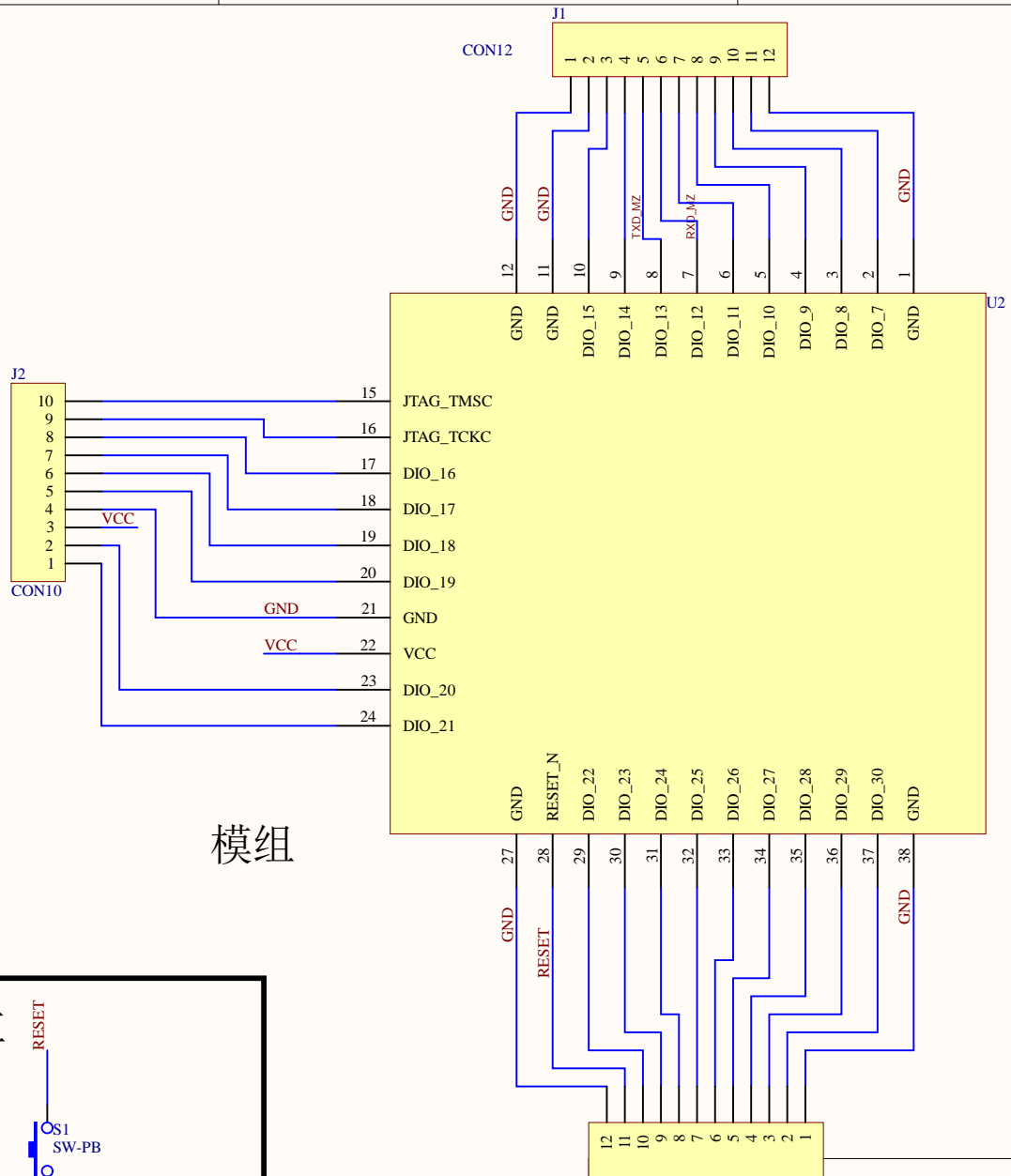
# 跳线帽



# 复位



# 模组



Size	Number	Revision
A4		
Date:	10-16-2023	Sheet of
File:	C:\Users\...\10664-V1.0.SchDoc	Drawn By: