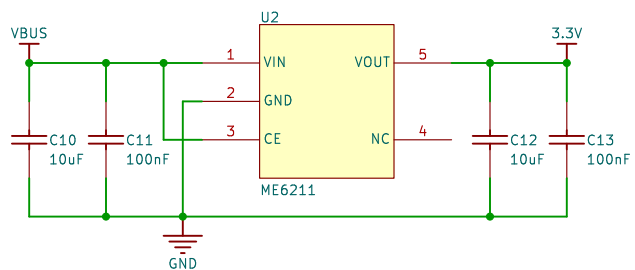
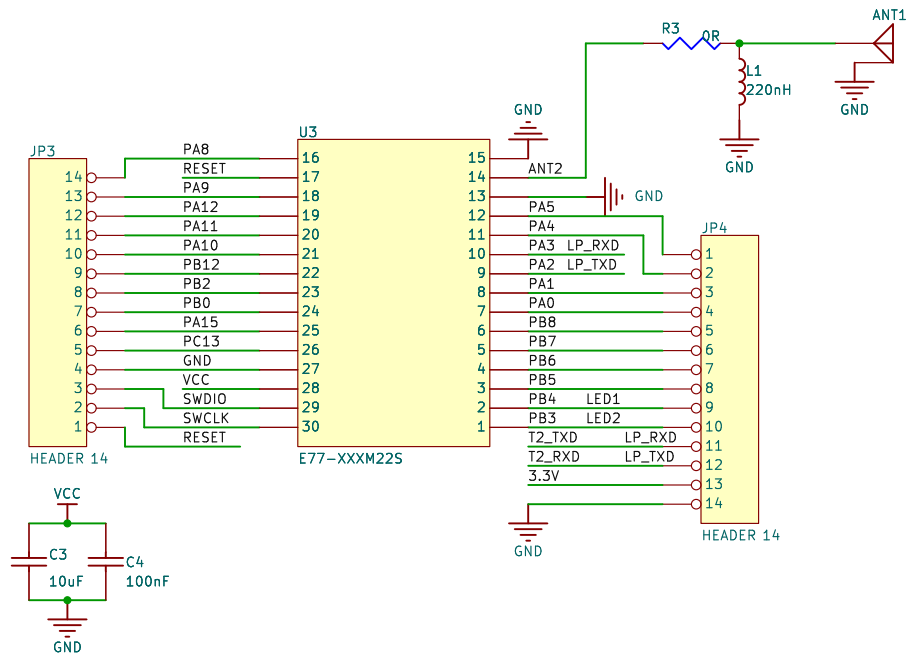
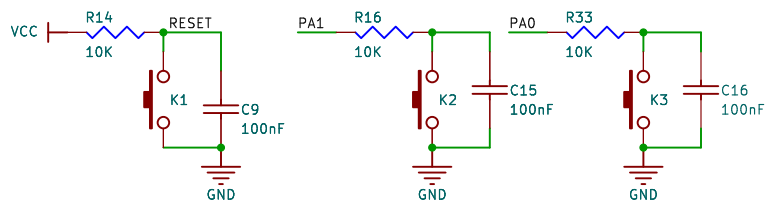
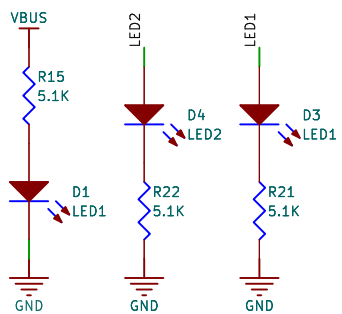


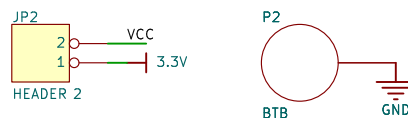
USB-USART



5V-3.3V



E77-XXXS模组



底板接口&LED