

1

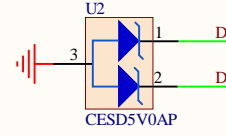
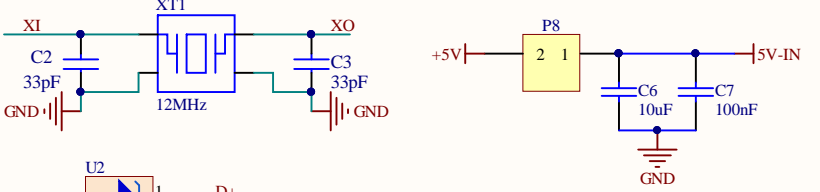
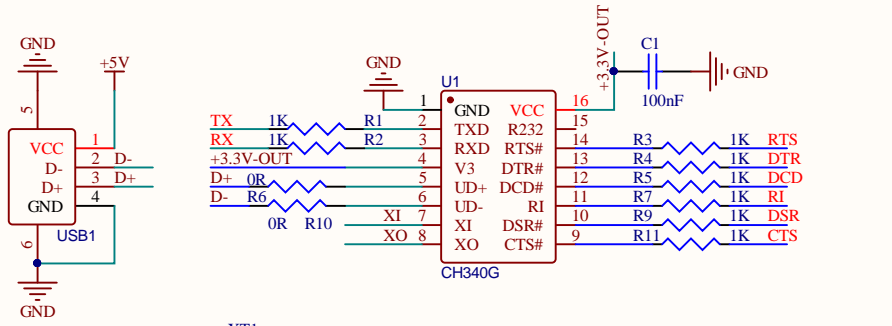
2

3

4

A

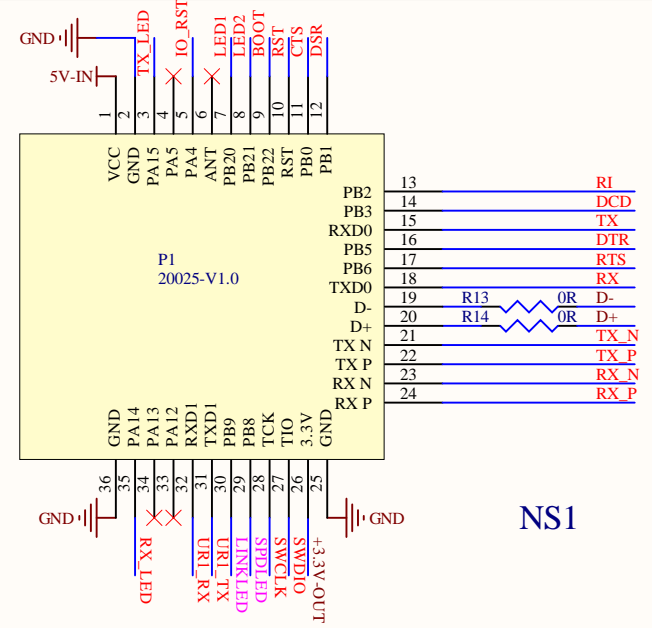
A



USB TTL

B

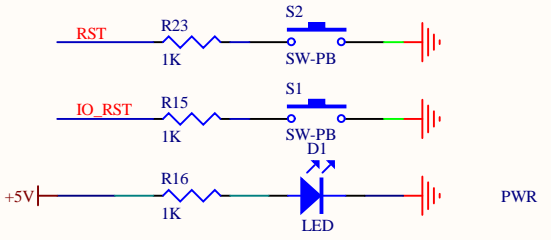
B



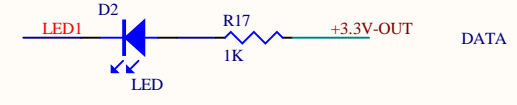
NS1

C

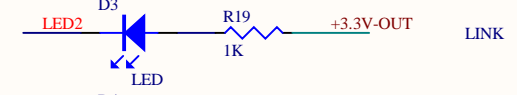
C



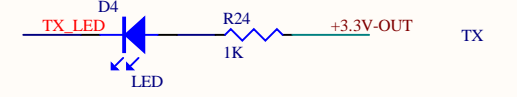
PWR



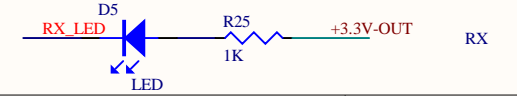
DATA



LINK



TX

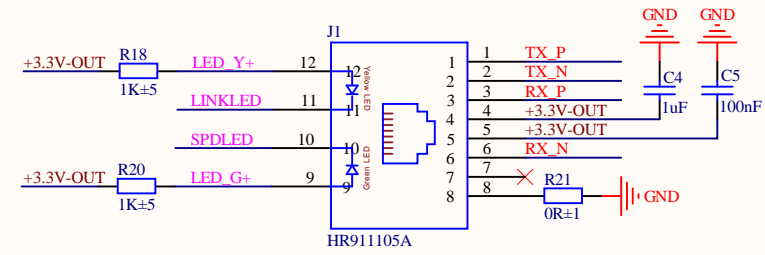
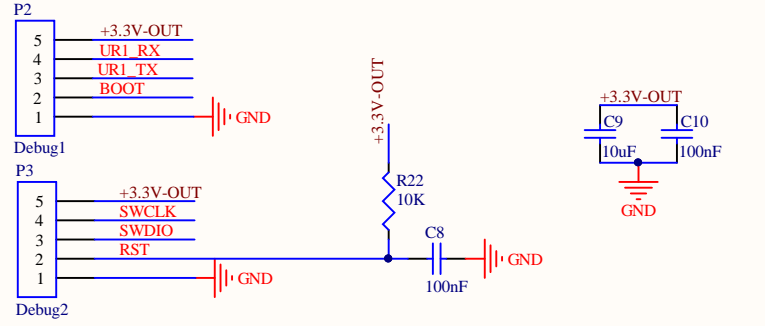


RX

LED

D

D



1

2

3

4